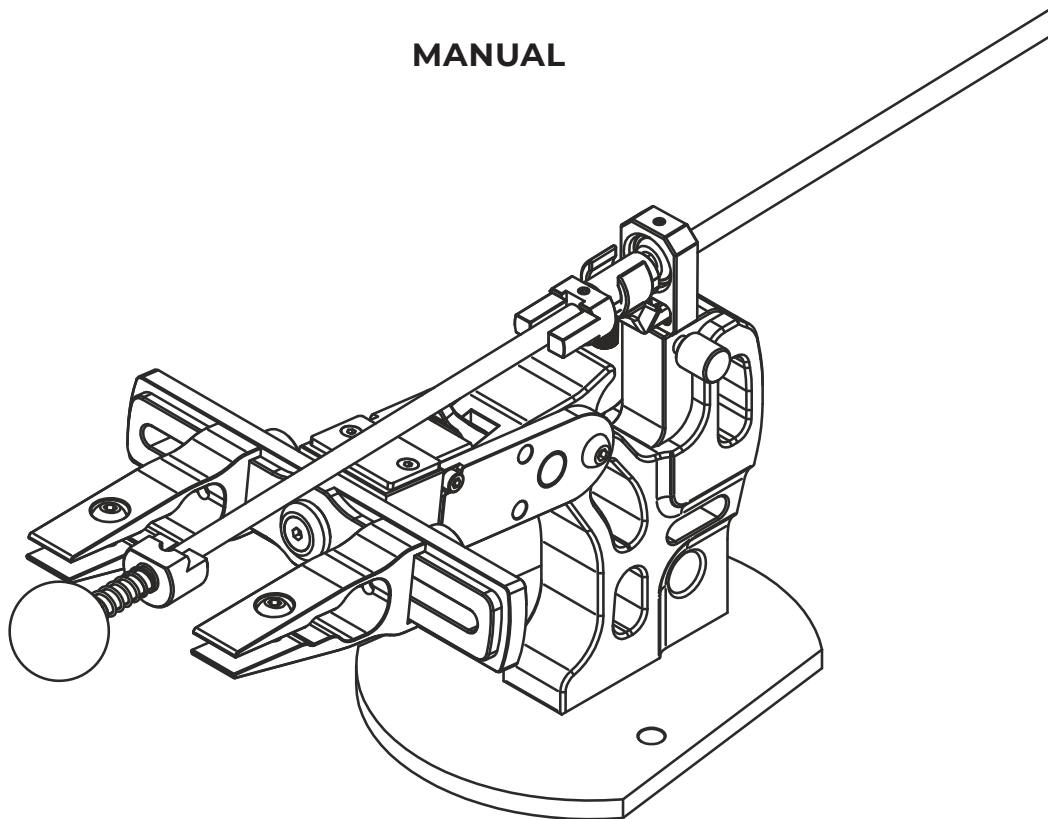


TSPROF
PIONEER

MANUAL



ATTENTION!

Read this User Manual carefully before using the device. Improper use of the device may result in injury or damage to the device.

The manufacturer is not responsible for damage caused by improper use of the device.

1. PURPOSE

The TSPROF Pioneer sharpening device (hereinafter referred to as the Device) is a universal sharpening device designed for the double-sided sharpening of knives without removing the blade from the clamps for sharpening the back side of the blade.

The device is designed for use in household conditions with an ambient temperature of 5 to 35 ° C.

2. TECHNICAL SPECIFICATIONS

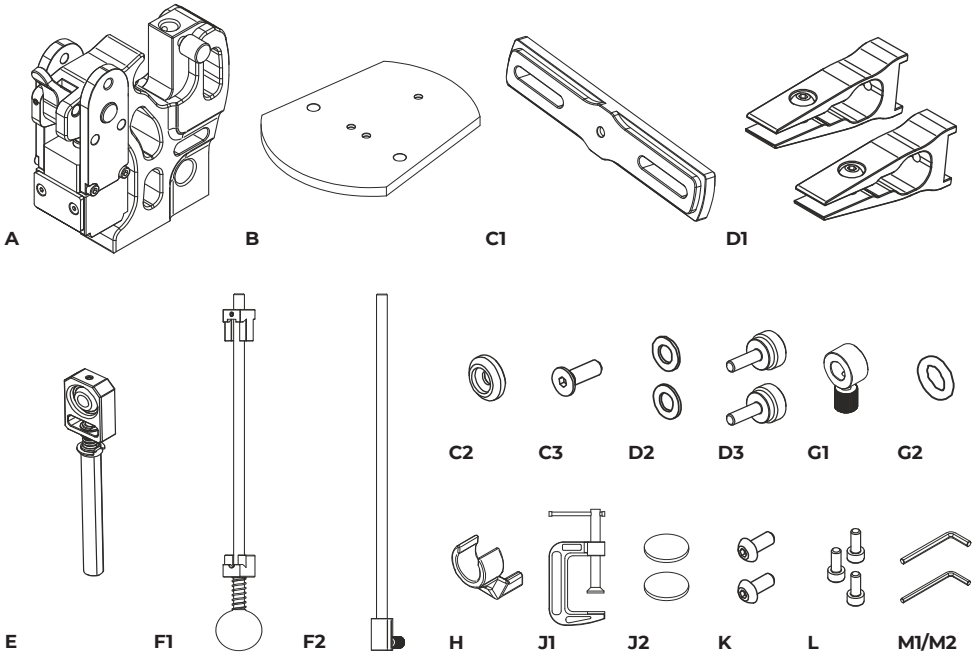
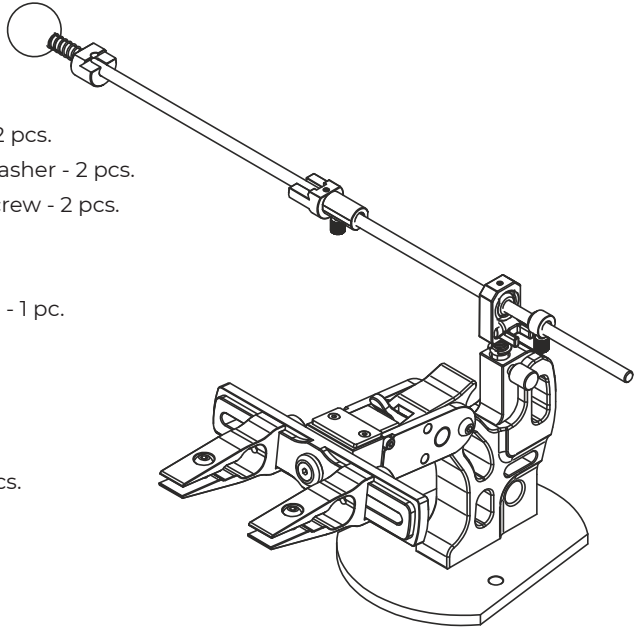
SPECIFICATION	VALUE
Spine thickness of knives	up to 5 mm
Blade length of knives	up to 250 mm
Blade width of knives	up to 40 mm
Minimum sharpening angle	12°
Maximum sharpening angle	26°
Compatible with abrasives of length	from 10 up to 160 mm
Compatible with abrasives of thickness	from 3 up to 15 mm
Weight	1.4 kg

3. SAFETY REQUIREMENTS

- ◆ Be sure to read this User Manual before using the unit. The device should not be used by any person who is not familiar with this manual.
- ◆ This device is not intended for use by people (including children) with impaired physical, sensory, or mental capabilities, or lack of experience and knowledge unless they are supervised or instructed by a person responsible for their safety.
- ◆ Minors must be supervised to ensure that they do not play with the Device.
- ◆ Before you start working with the Device, prepare your workplace. There should be no foreign objects in the workplace of the Device. The workplace must be illuminated.
- ◆ To prevent cuts, do not touch the cutting edge of the blade with your hands. It is recommended that you wear cut-resistant gloves when using the machine.
- ◆ Do not leave unattended the device ready for operation or an open, uncovered knife blade in the reach of children and animals.

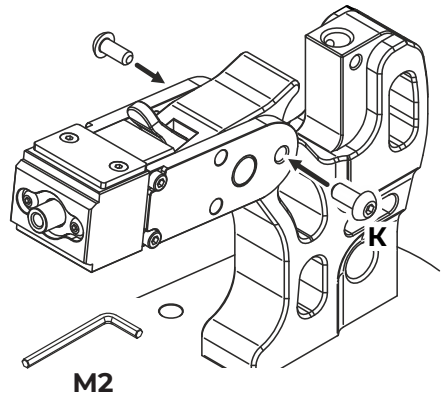
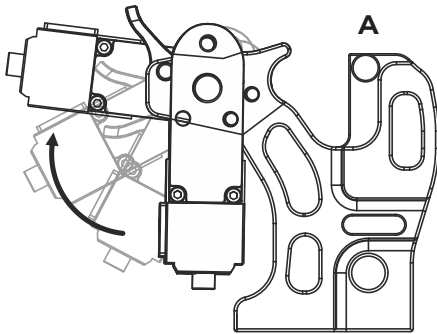
4. LIST OF PARTS

- A** – Body - 1 pc.
- B** – Base - 1 pc.
- C1** – Clamping frame - 1 pc.
- C2** – Frame washer - 1 pc.
- C3** – M5x16 screw - 1 pc.
- D1** – TSPROF Pioneer clamp - 2 pcs.
- D2** – TSPROF Pioneer clamp washer - 2 pcs.
- D3** – TSPROF Pioneer clamp screw - 2 pcs.
- E** – Hinge unit - 1 pc.
- F1** – Abrasive holder - 1 pc.
- F2** – Abrasive holder guide rod - 1 pc.
- G1** – Limiter 6 mm - 1 pc.
- G2** – Limiter damper - 1 pc.
- H** – Parking - 1 pc.
- J1** – G-clamp - 1 pc.
- J2** – Felt pad for g-clamp - 2 pcs.
- K** – M5x12 screw - 2 pcs.
- L** – M4x10 screw - 3 pcs.
- M1** – 1,5 mm hex key - 1 pc.
- M2** – 3 mm hex key - 1 pc.

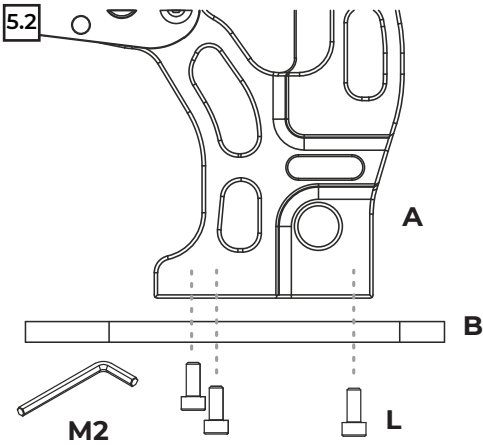


5. ASSEMBLY

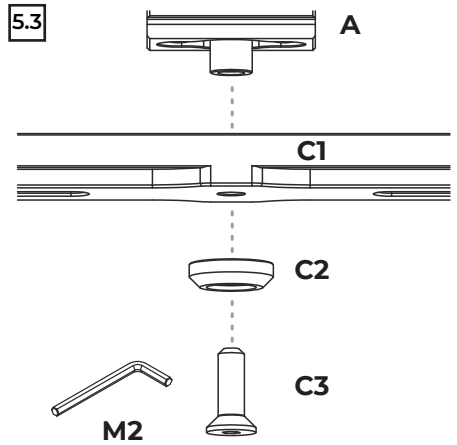
5.1



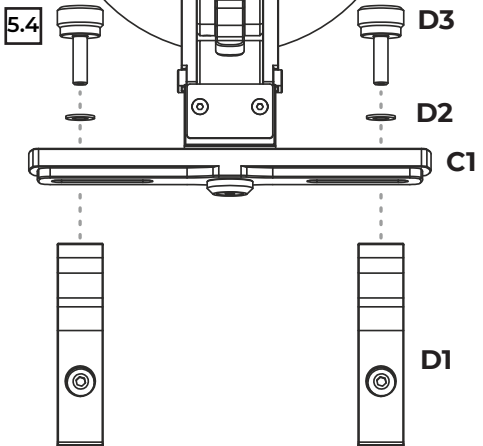
5.2



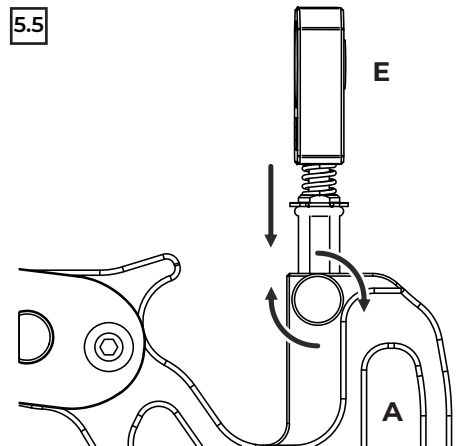
5.3



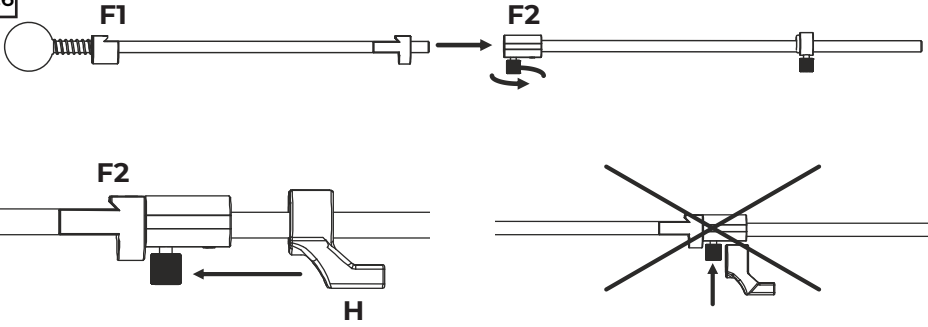
5.4



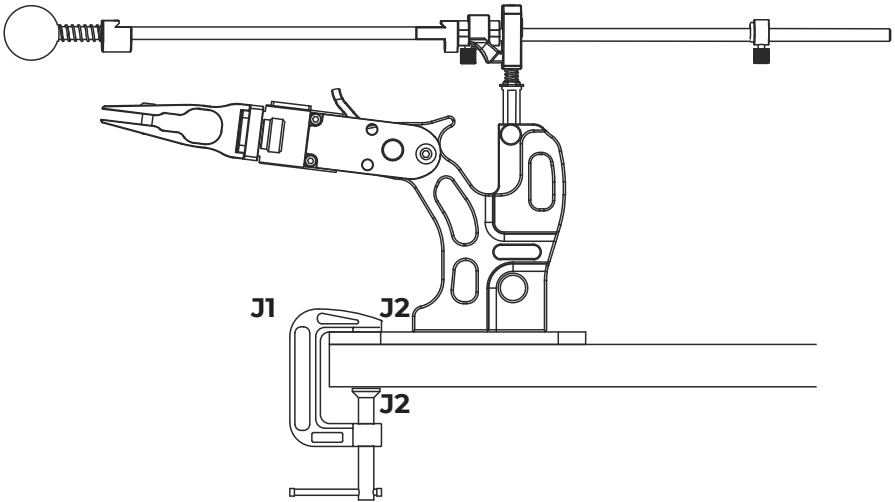
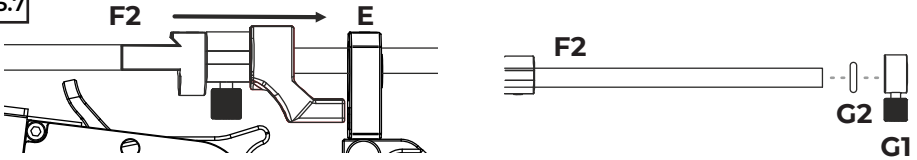
5.5



5.6



5.7



Watch the video tutorial

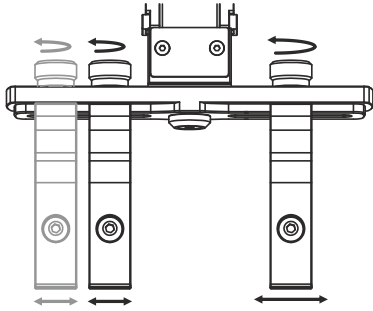


ATTENTION!

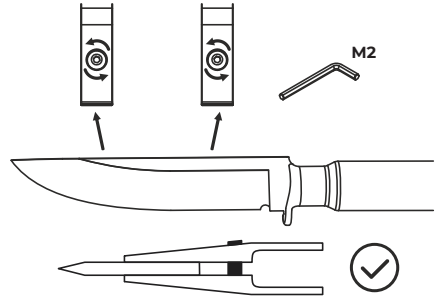
Remember that sharpening requires extra care. Careless handling of the knife can result in serious injury!

6. HOW TO USE

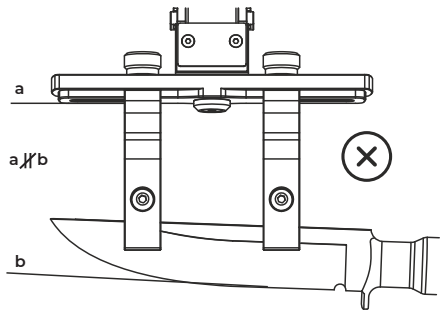
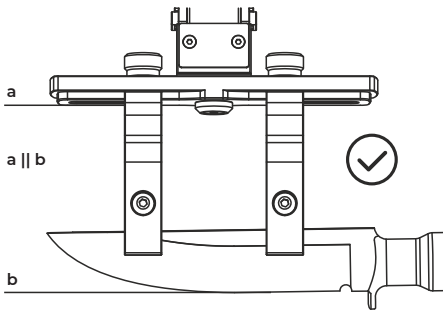
6.1 Place the clamps according to the size of the knife.



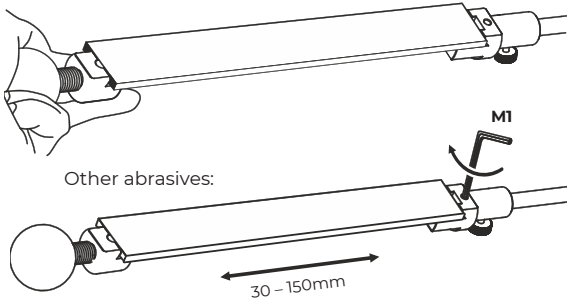
6.2 The clamps must fit tightly to the knife.



6.3 The cutting edge of the knife should be parallel to the clamping frame.



6.4 Standard abrasives mounted on a blank:

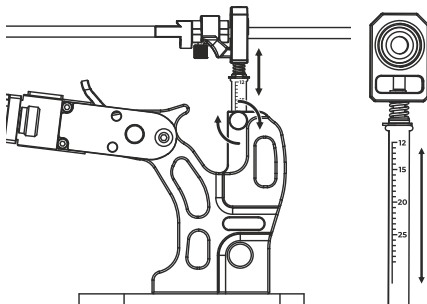


Standard abrasives mounted on a blank:

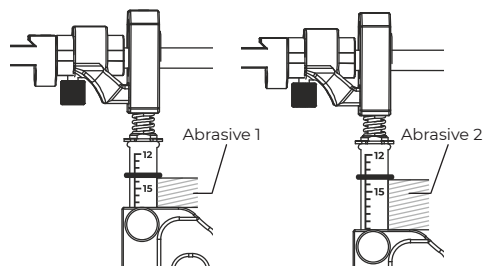


- F150 - course roughing
- F220 - cutting edge profiling
- F400 - main sharpening
- F600 - pre-finishing
- F1000 - finishing

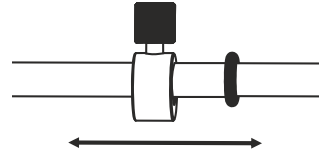
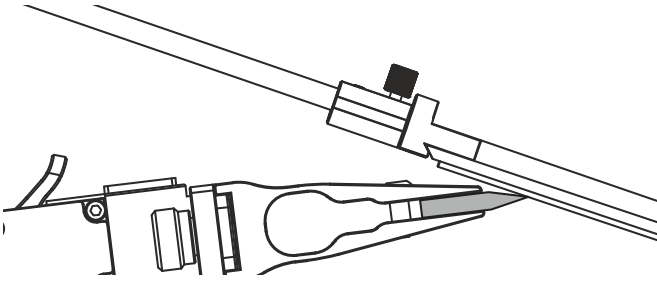
6.5 Set the angle depending on the knife.



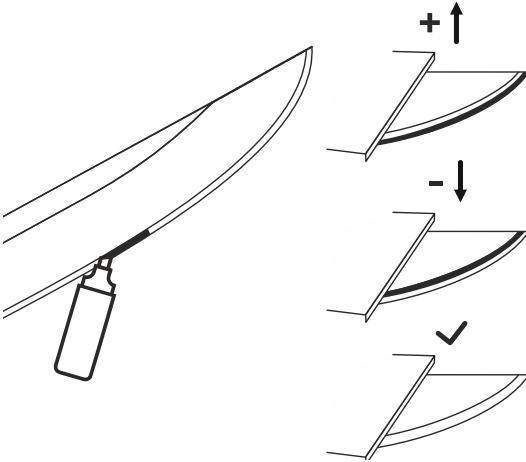
6.6 Use an abrasive thickness compensator when working with abrasives of different thicknesses.



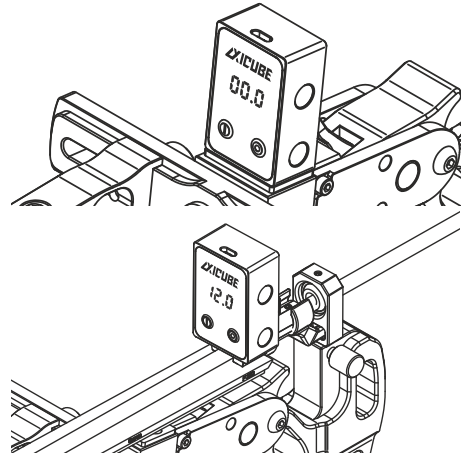
6.7 Adjust the limiter to prevent the abrasive from leaving the sharpening area.



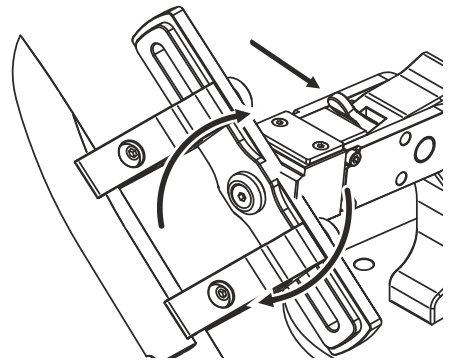
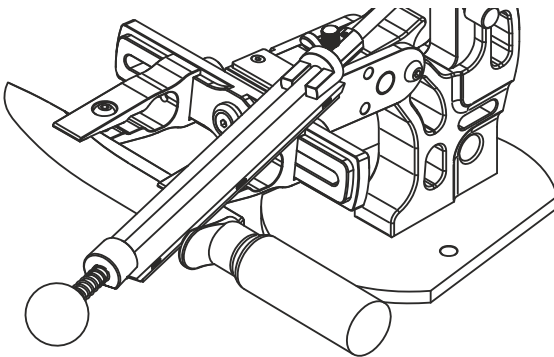
6.8 Set the angle so that one stroke of the abrasive erases the marker completely.



6.9 Using an electronic angle finder.



6.10 Flip the knife, after sharpening one side.



*More about sharpening



BE CAREFUL
WHEN FLIPPING THE KNIFE

7. STORAGE AND TRANSPORTATION

Store the device in its original packaging or in a dust-free place at a temperature from +1 to +40°C.

It is allowed to transport the device by all means of transport at the temperature from - 40°C to +50°C.

If the device is transported at subzero temperatures, use it only after keeping it at room temperature for at least 3 hours.

8. DISPOSAL

Dispose of the device and packaging in accordance with the procedure established by the norms and rules in the field of consumption waste management. If possible, dispose of paper, plastic, metal waste in the containers designed for these materials.

9. WARRANTY

The current warranty terms and conditions are listed on the Manufacturer's website. In case of discrepancies, the terms and conditions listed on the Manufacturer's website shall take precedence.

The warranty period for the product is 1 year from the date of sale, but no more than 1.5 years from the date of manufacture.

The warranty period can be extended according to special programs from the Manufacturer. The date of sale is the date of issue of shipping documents and/or the date of completion of the warranty card.

This warranty entitles the Buyer to have the product repaired free of charge in the event of defects related to materials and assembly. Warranty, as well as non-warranty and post-warranty repairs shall be made only by the Manufacturer.

The warranty does not cover packaging materials.

Warranty repair of partially or completely disassembled equipment is excluded. Such repairs are available on a chargeable basis.

Warranty repairs are not available in the following cases:

- ◆ when the equipment is not used for its intended purpose as specified in the operating instructions;
- ◆ in the event of external mechanical damage to the equipment;
- ◆ in case of defects due to non-compliance with storage and transportation rules, force majeure circumstances, as well as adverse atmospheric or other external effects on the equipment, such as rain, snow, high humidity, heating, aggressive environments, etc;
- ◆ when damage has occurred due to non-compliance with the operating conditions specified in the manual or when unauthorized modifications have been made;
- ◆ when foreign objects enter the equipment;
- ◆ in the event of defects and breakdowns due to untimely preventive maintenance, including cleaning and lubrication of the equipment in accordance with the instructions in the operating manual.

Adjustment, maintenance and preventive maintenance of equipment (for example: cleaning, washing, lubrication, replacement of technical fluids) is not a warranty service and is provided on a fee basis.

The equipment is void of warranty if you do not follow the user manual instructions.

To send the product for warranty, non-warranty or post-warranty service, you must send a claim to sales@tsprof.com.

CERTIFICATE OF ACCEPTANCE AND SALE

The TSPROF Pioneer sharpening device complies with the technical documentation and is approved for use.

Serial number:

Acceptance date:

Checked by:

 /

To be filled in when selling:

Date:

Seller's signature:

Place for stamp

TSPROF